

EMERGENCY CHOPPER

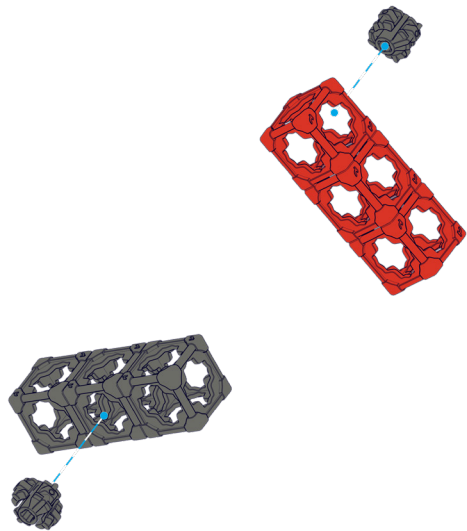
STEP BY STEP

You can also find
all our manuals on
[www.twickto.com/
manuals](http://www.twickto.com/manuals)

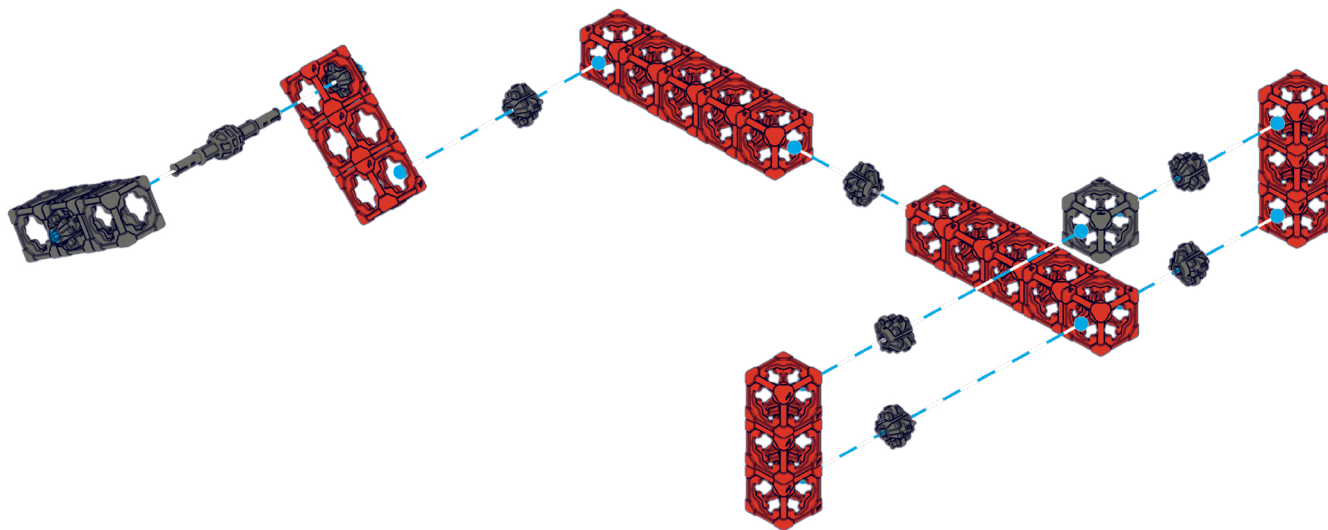


**LET'S START
BUILDING!**

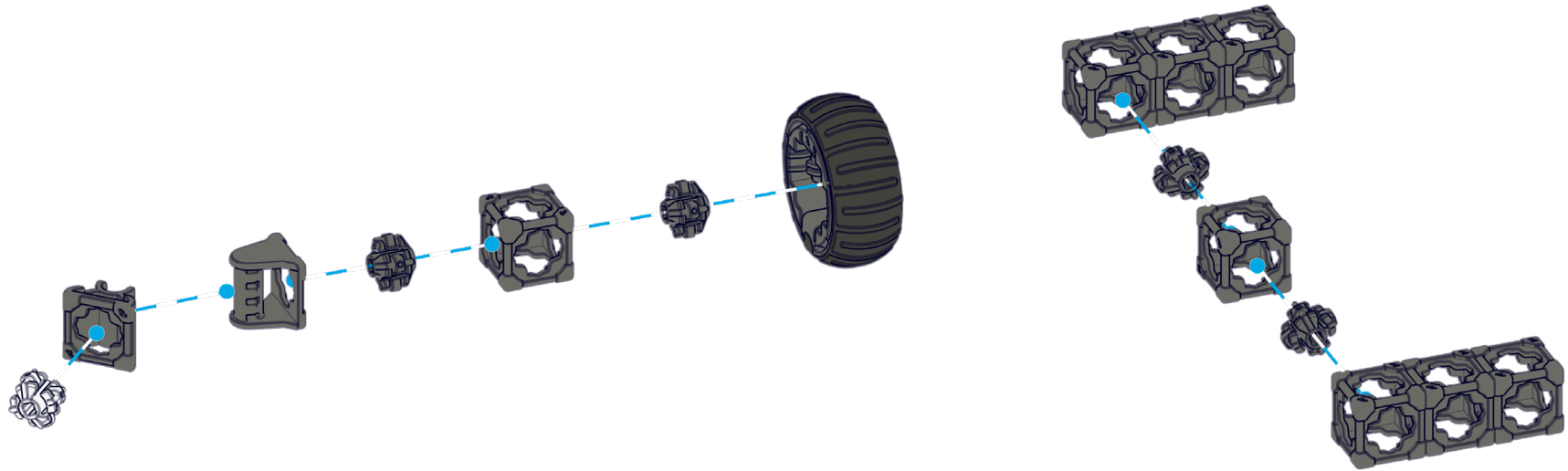
1



2

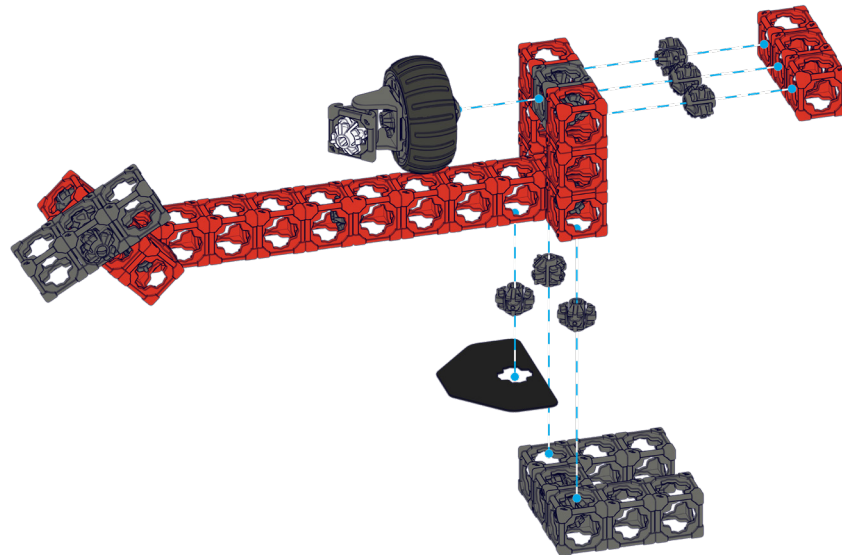


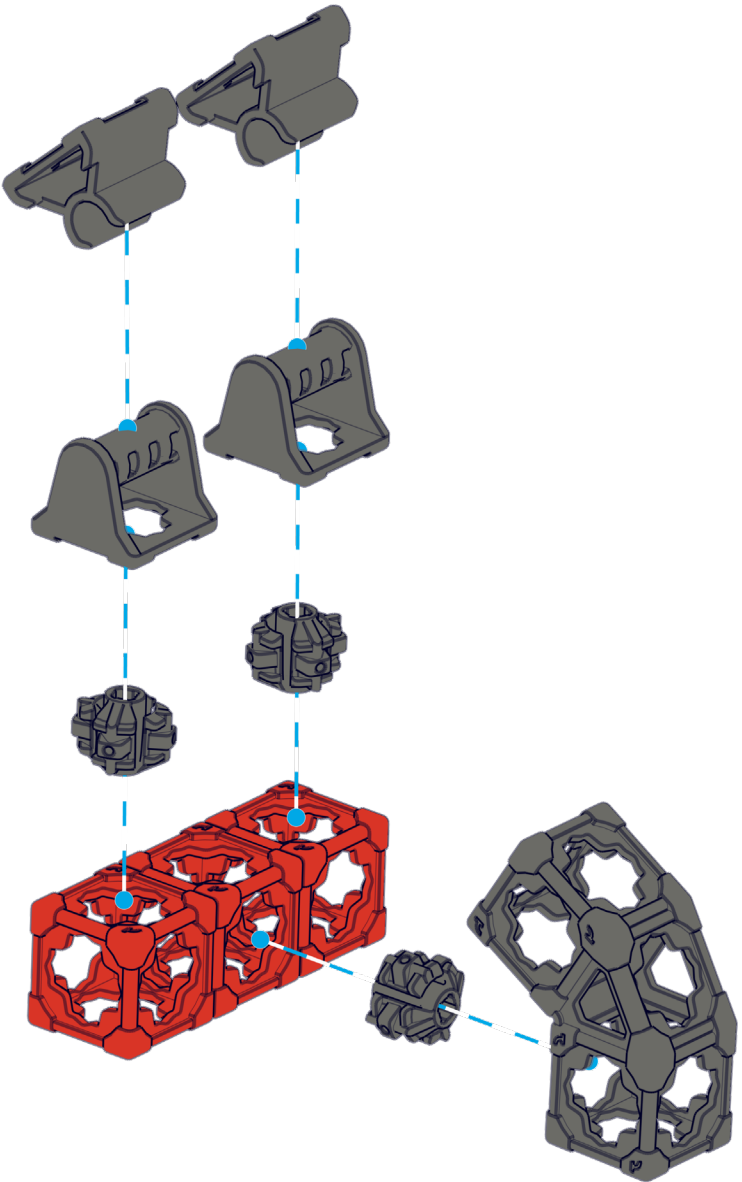
3

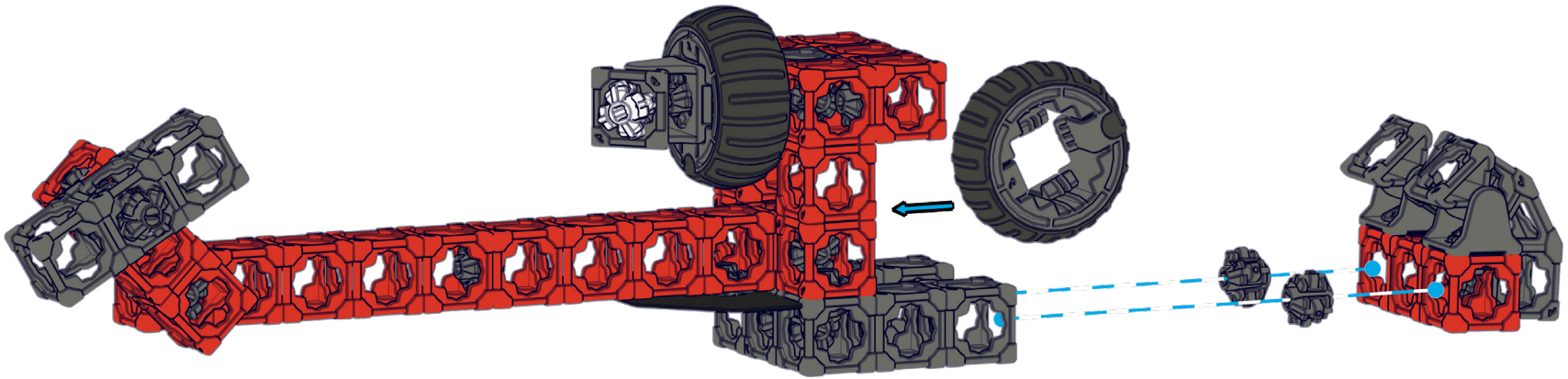


14

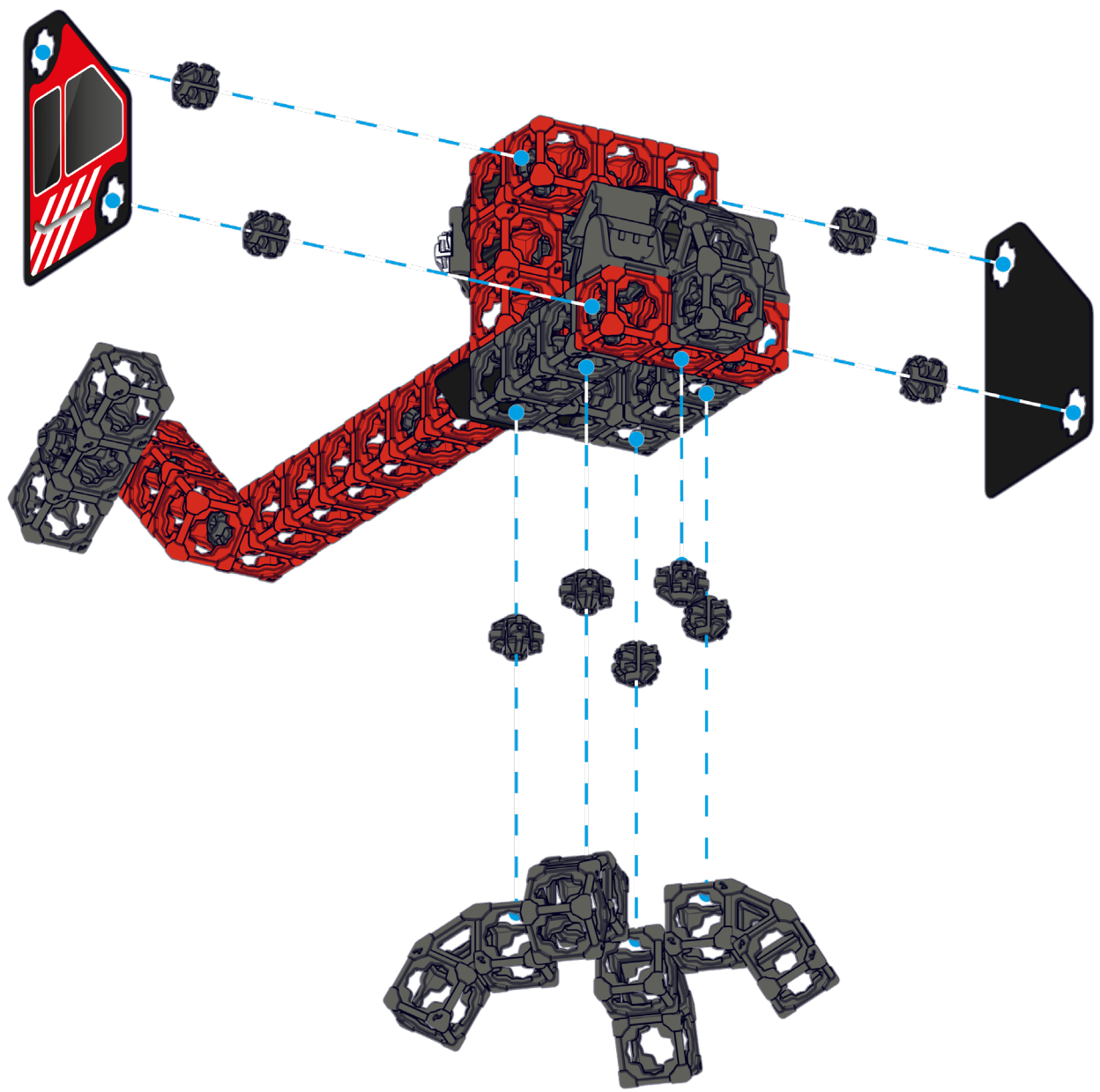
4

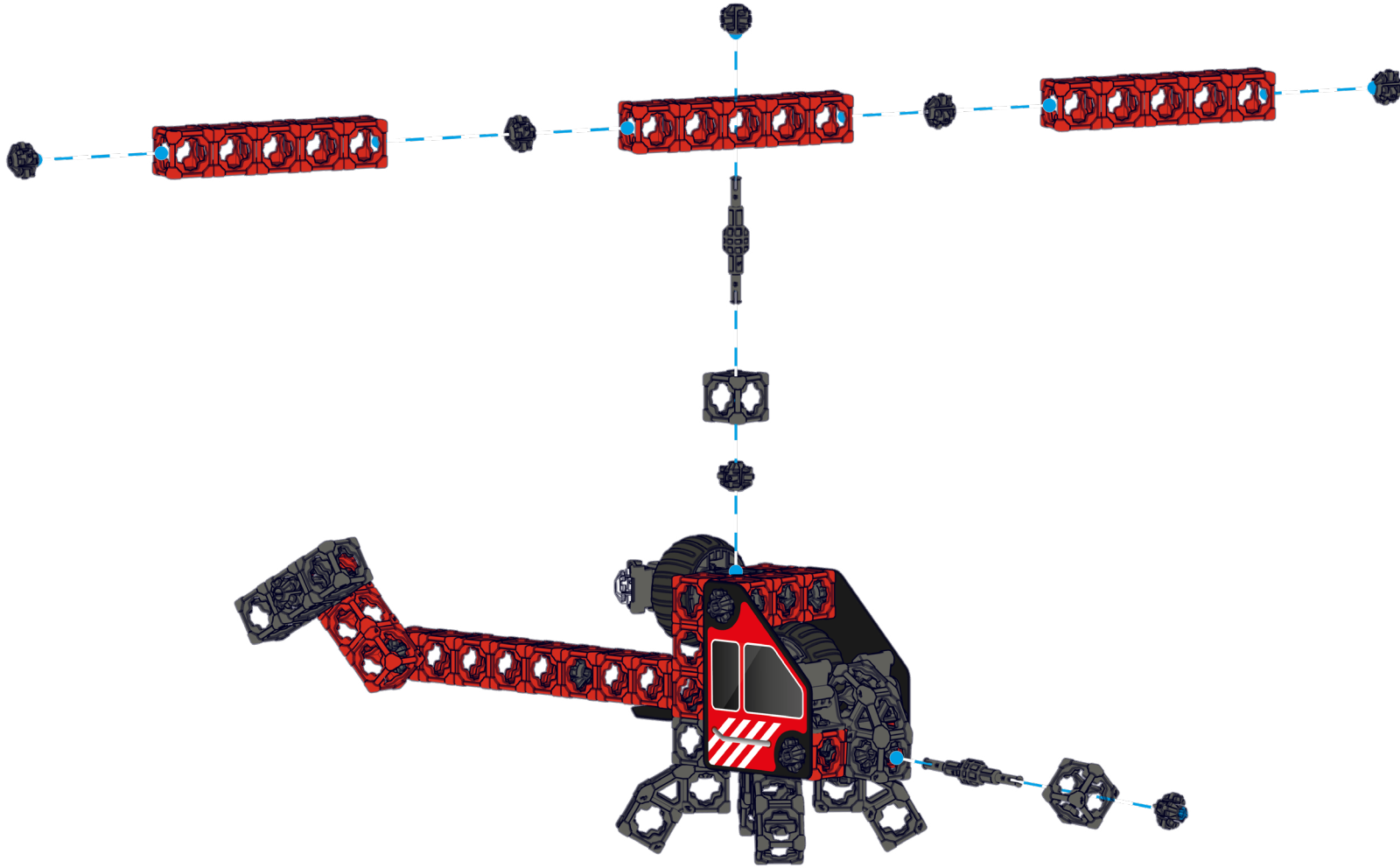


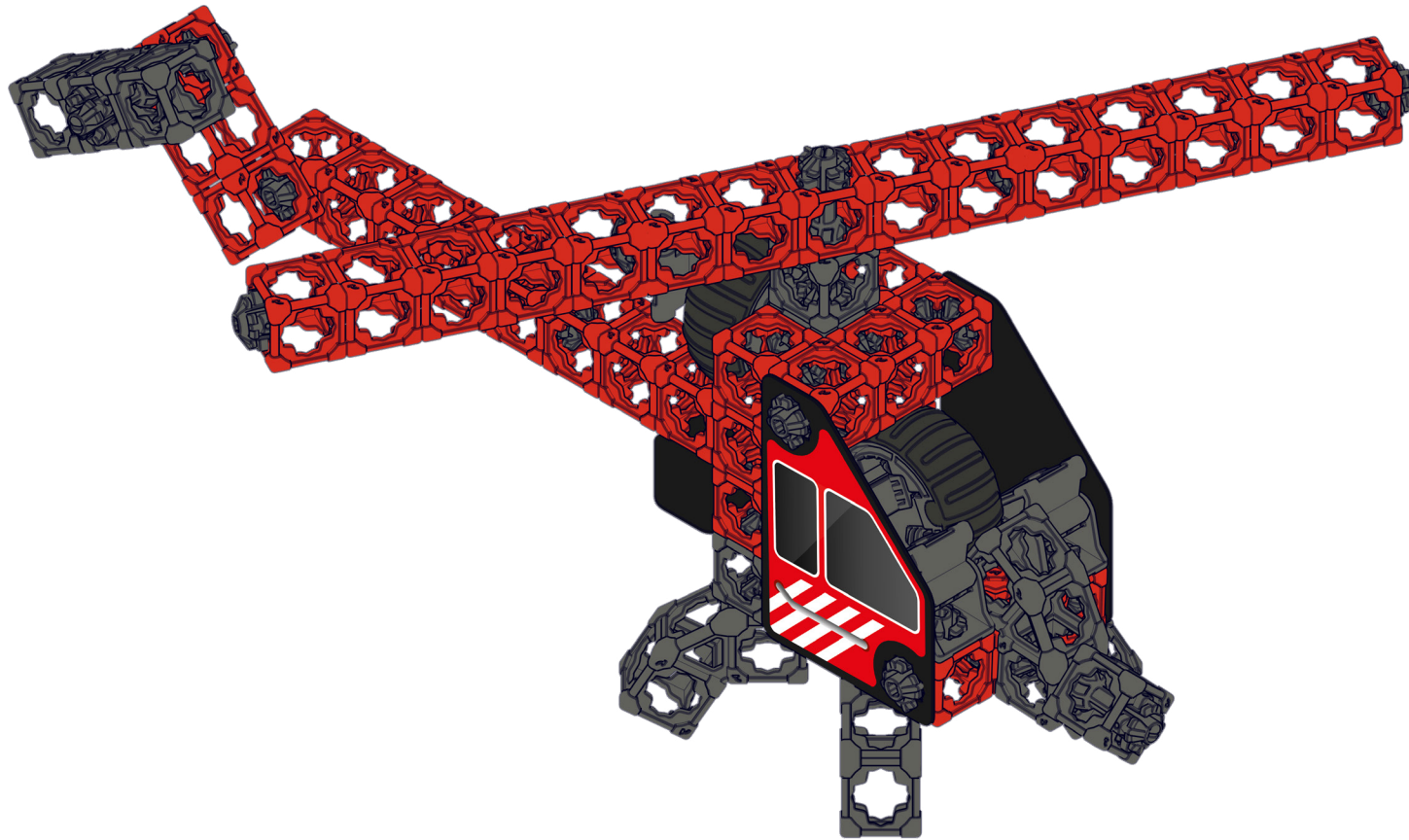




7







DONE, LET'S PLAY!