

# TRAM

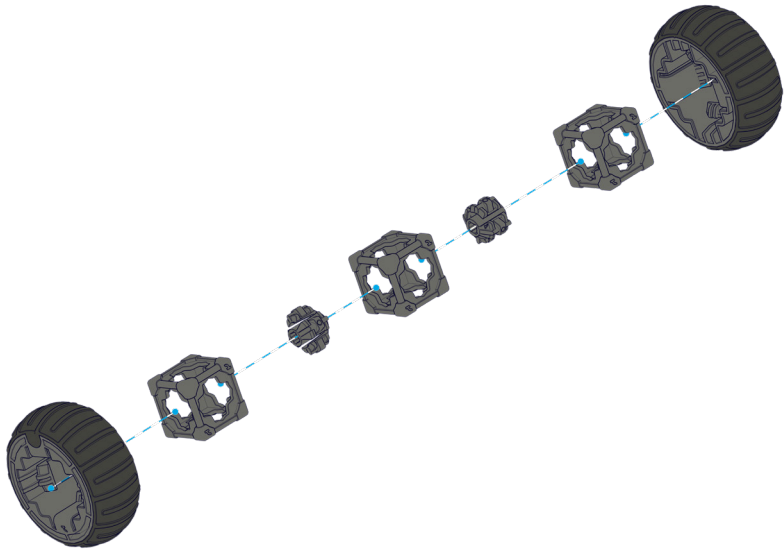
STEP BY STEP

You can also find  
all our manuals on  
[www.twickto.com/  
manuals](http://www.twickto.com/manuals)

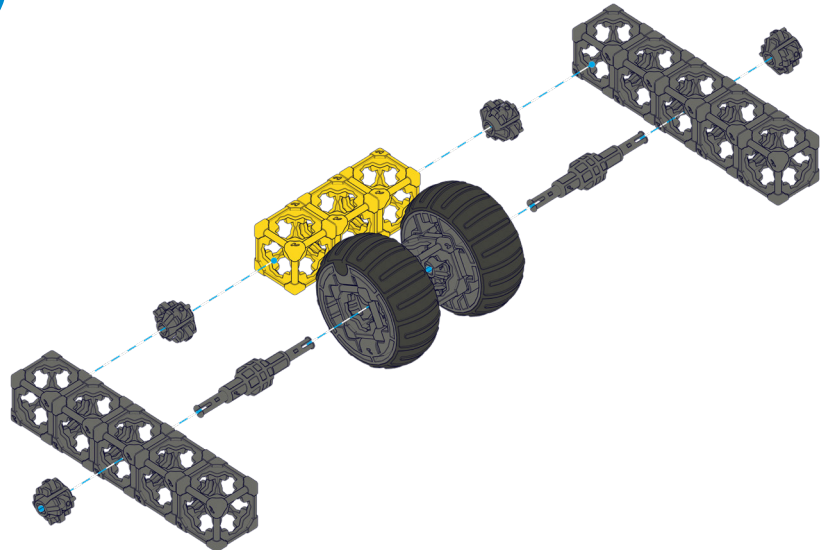


**LET'S START  
BUILDING!**

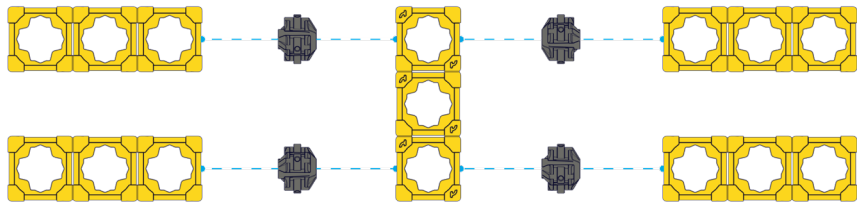
1



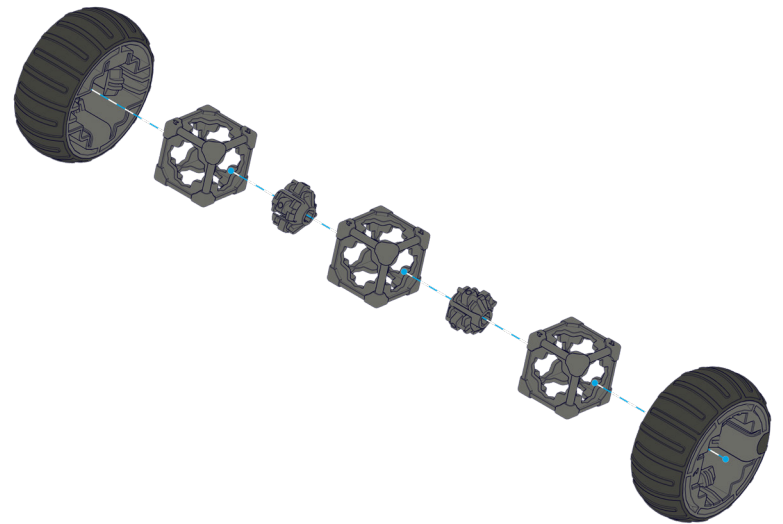
2



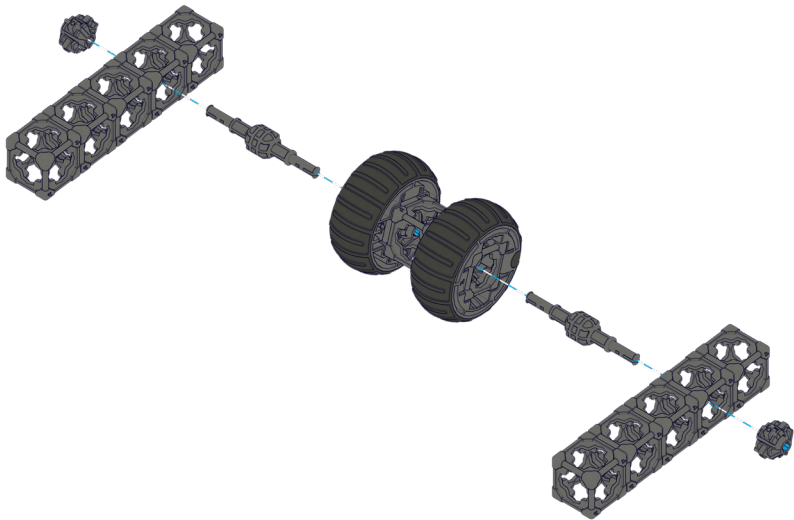
3



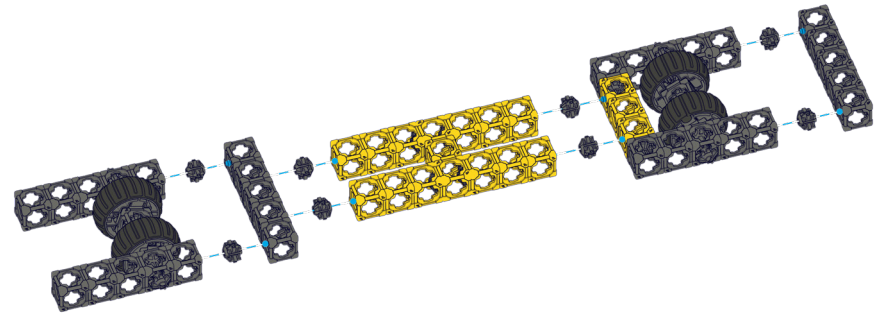
4



5

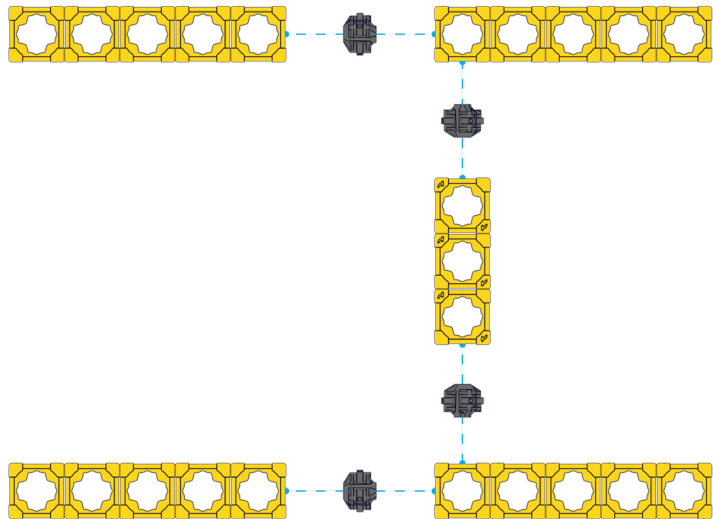


6

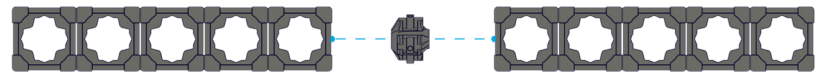


28

7

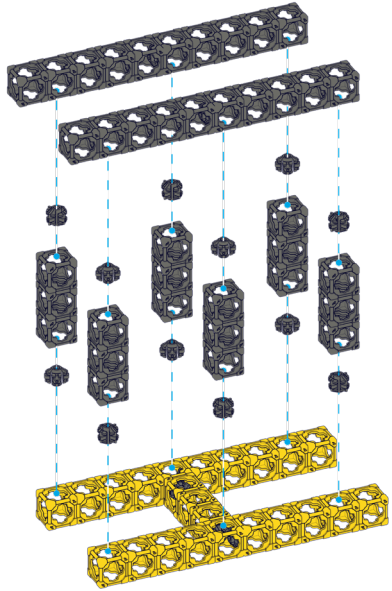


8

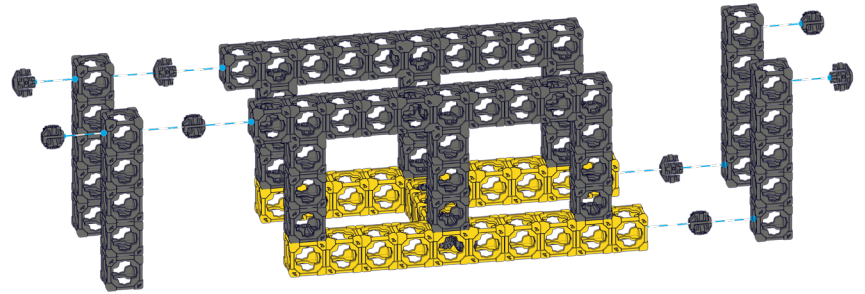


2x

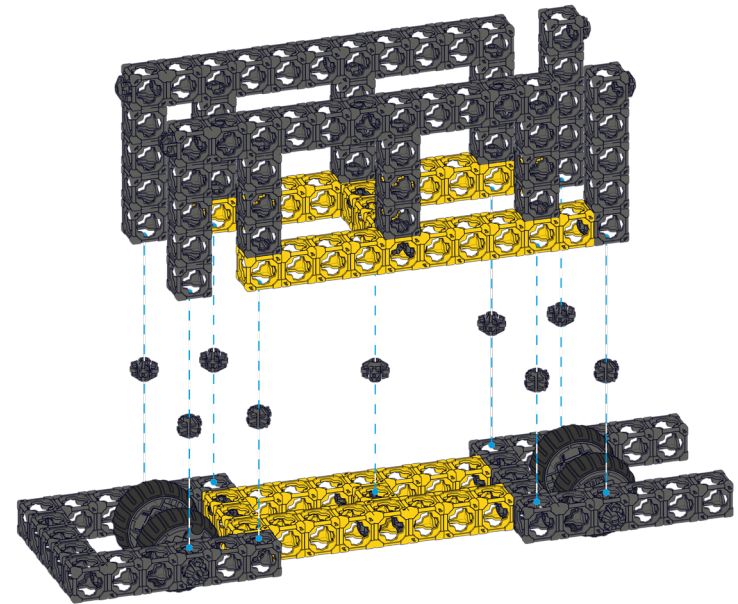
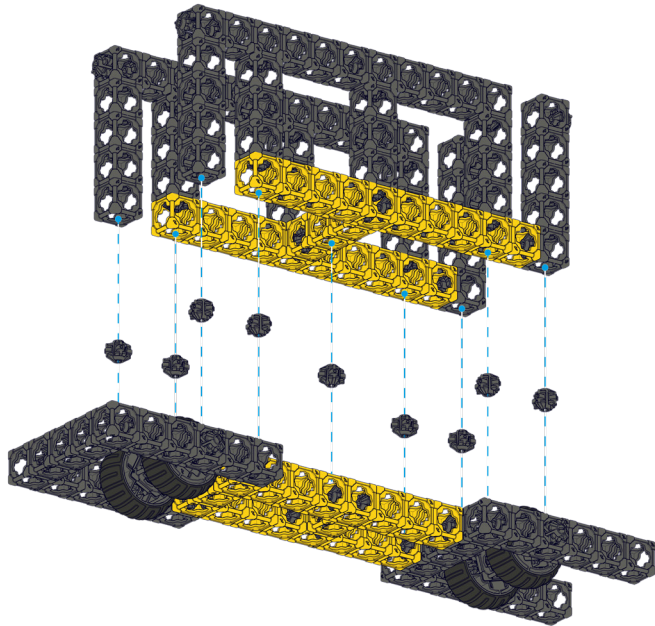
9



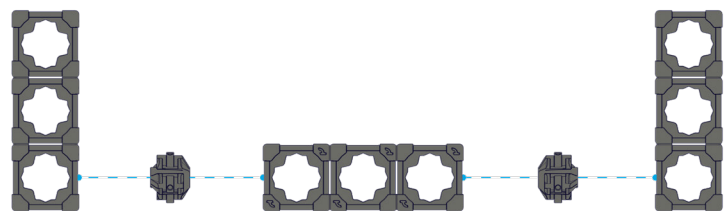
10



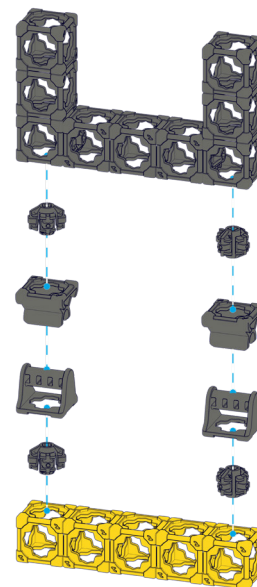
11



12

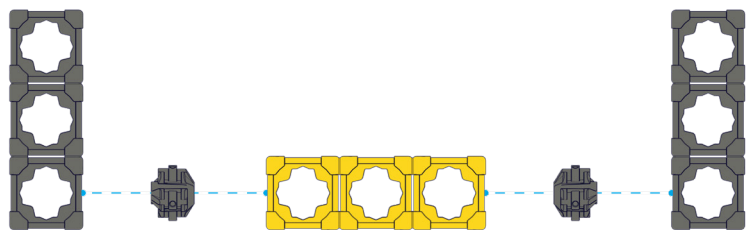


13

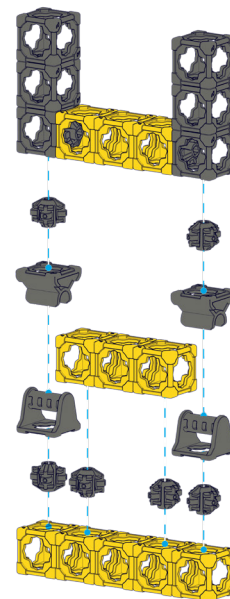


30

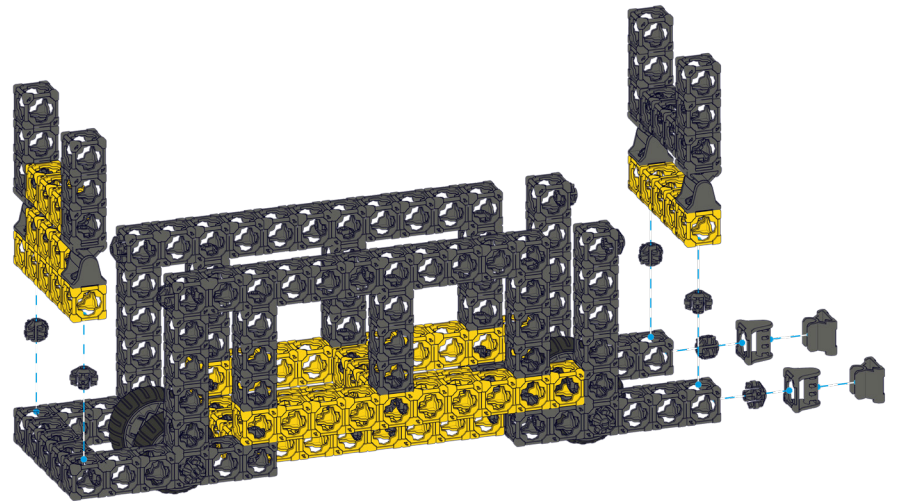
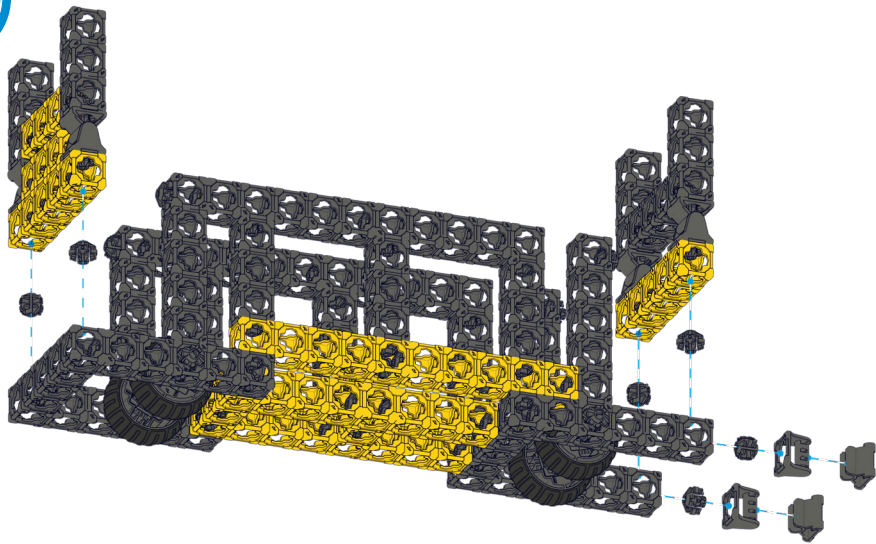
14



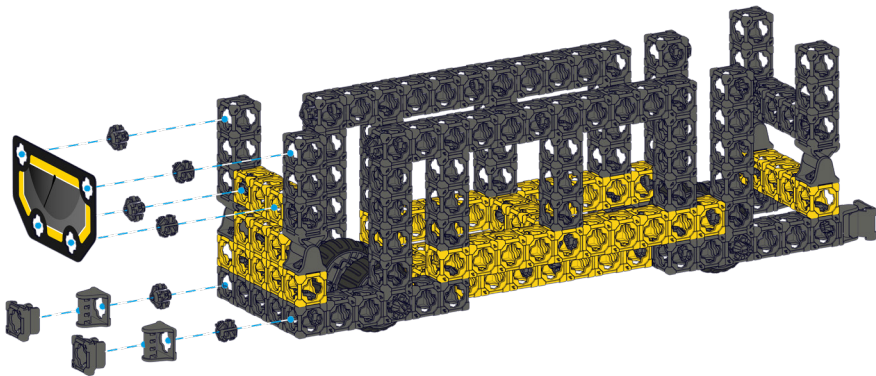
15



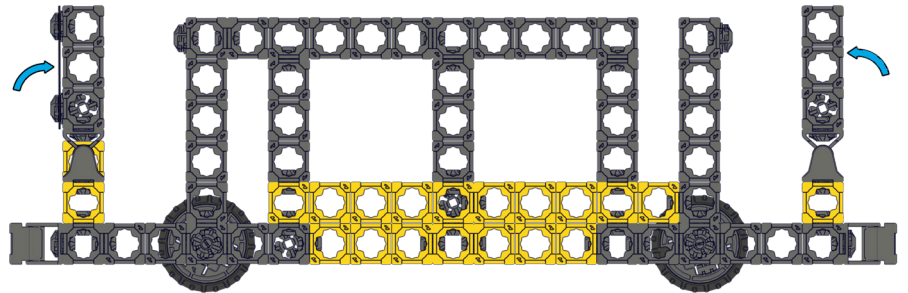
16



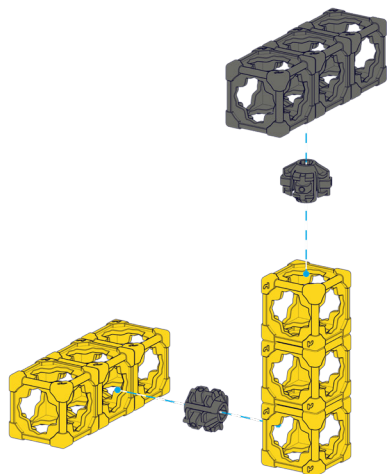
17



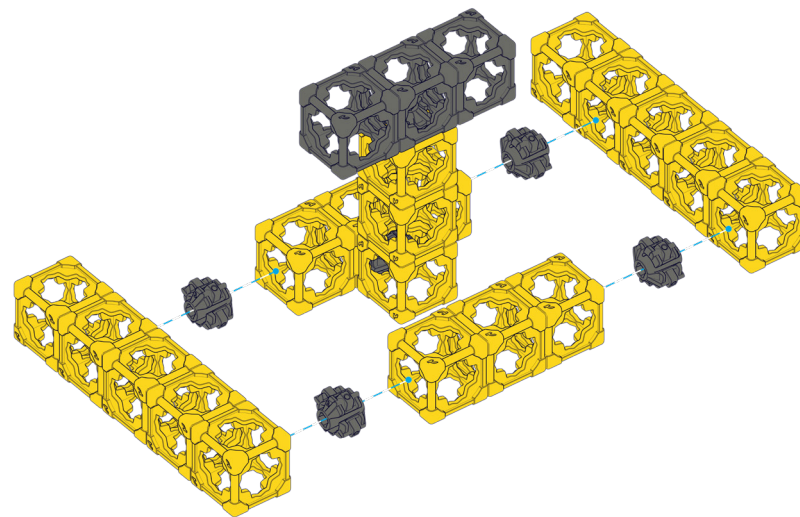
18



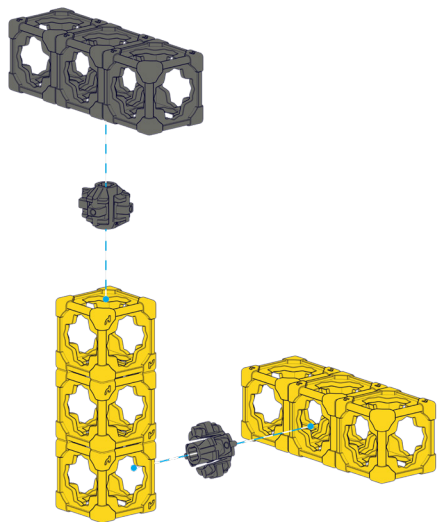
19



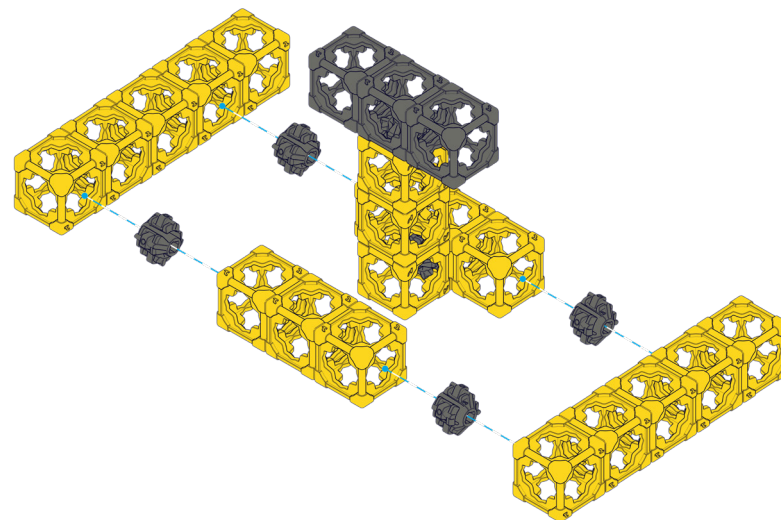
20



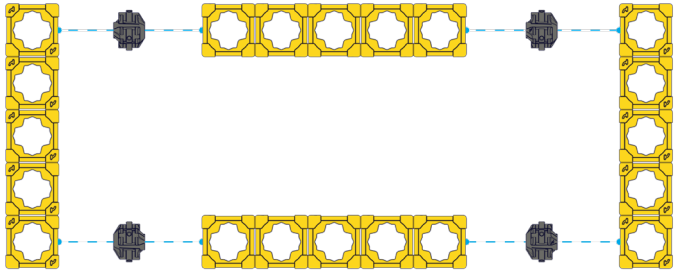
21



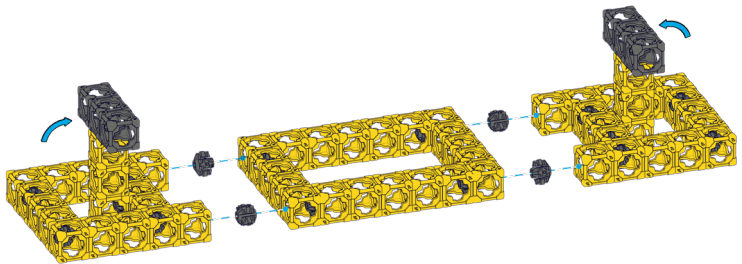
22



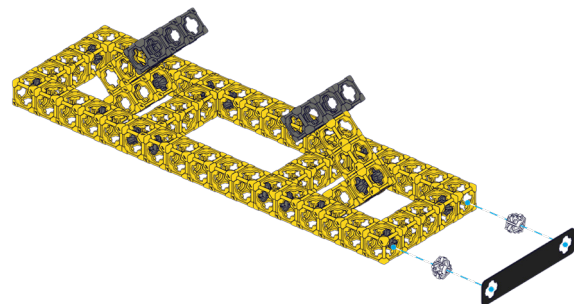
23



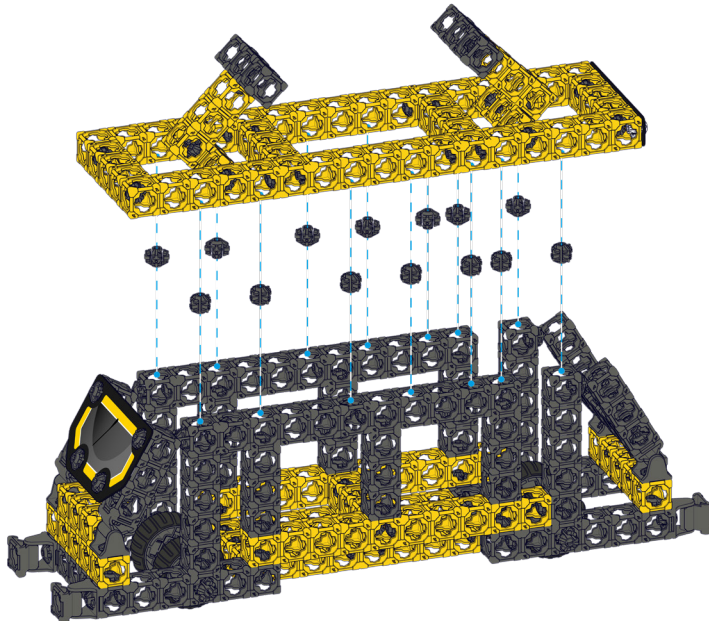
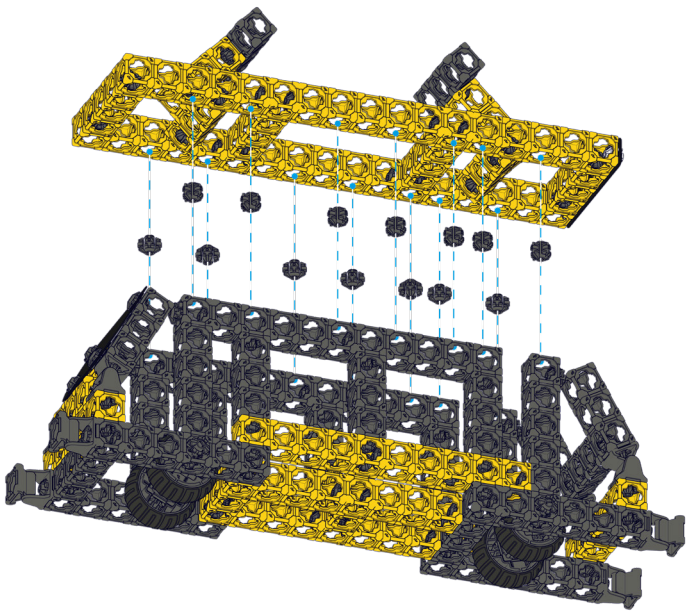
24



25

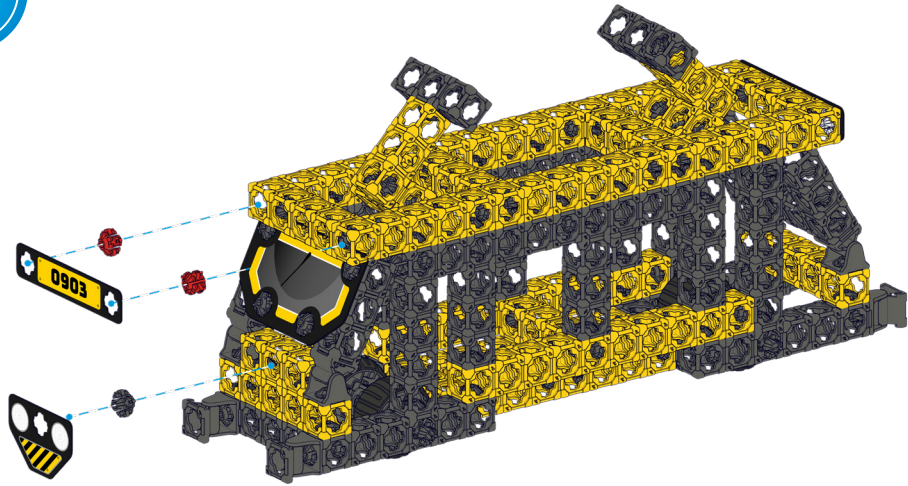


26

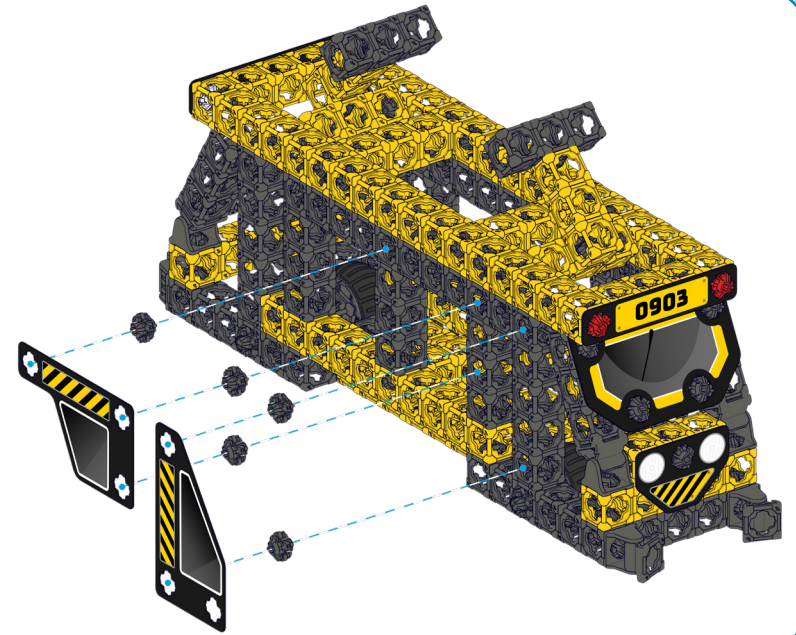




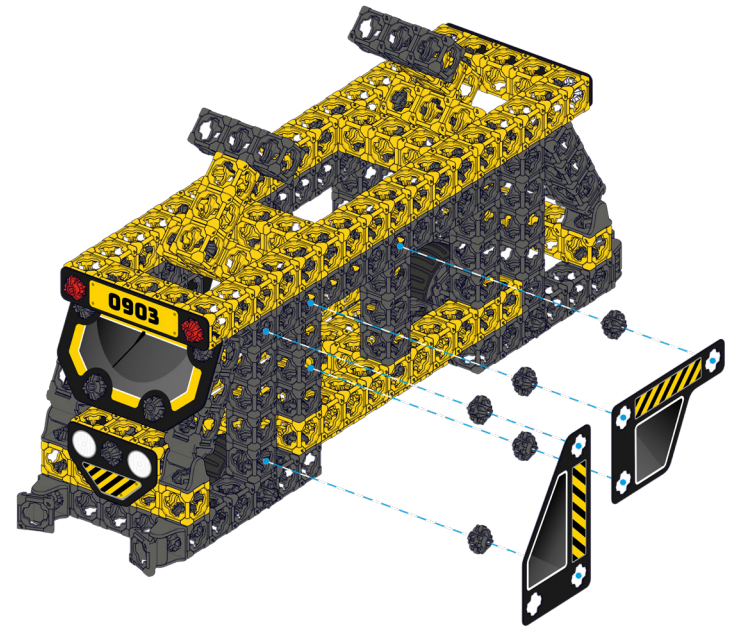
27

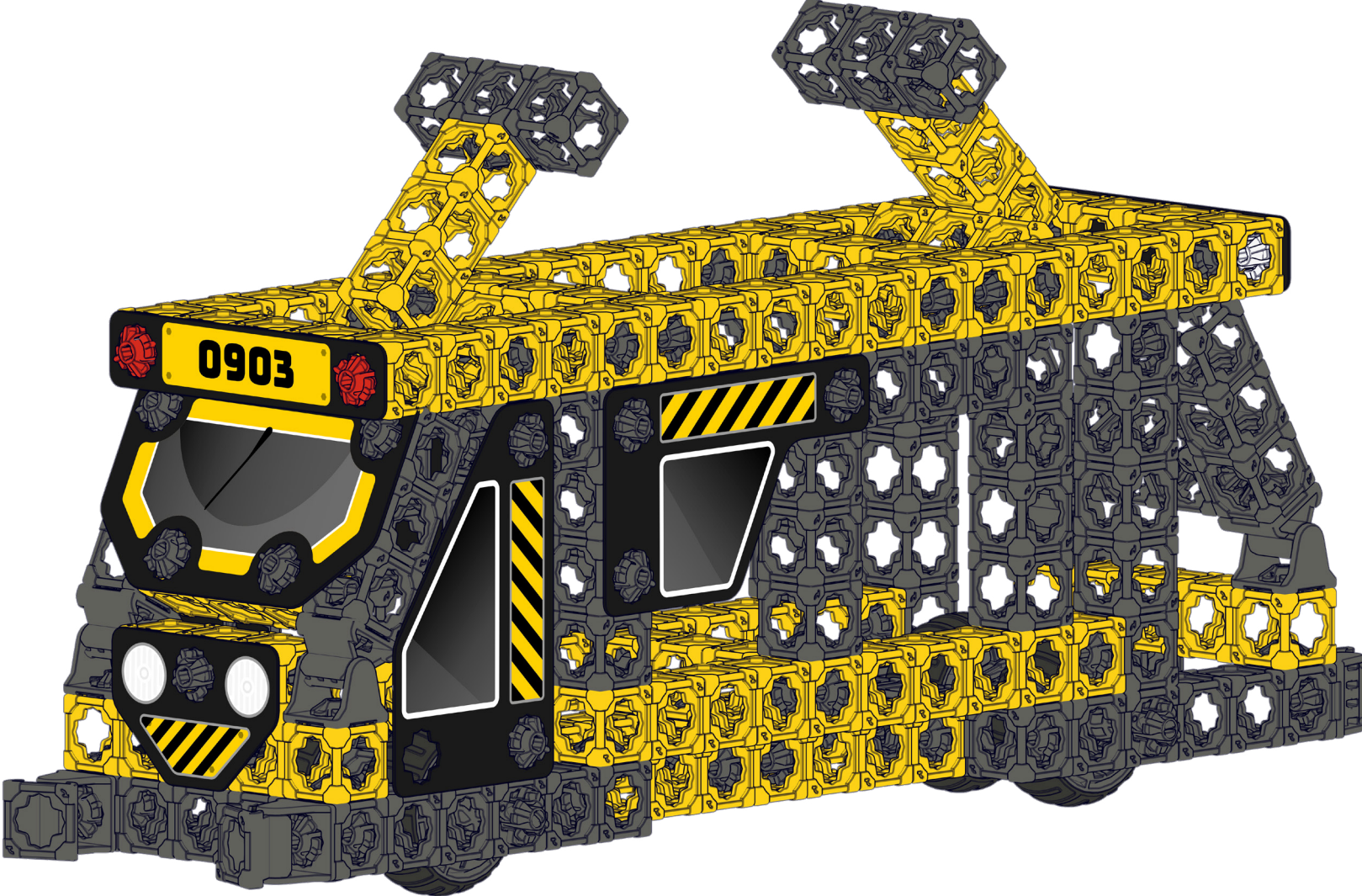


28



29





***DONE, LET'S PLAY!***